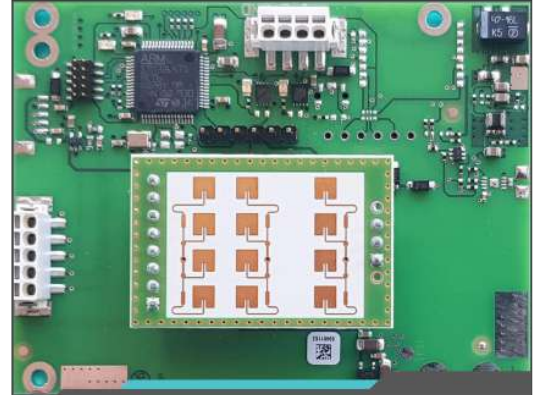




2D radar sensor 24 GHz

SDRA.207.01

- Motion detection (Speed)
- Directional sensing (Angle)
- Range (Distance)
- 80° x 40° beam width
- Target list output
- Interference suppression
- Configurable detection modes
- UART control
- Electronic output 3.3 V Level
- Optional IP 67 enclosure



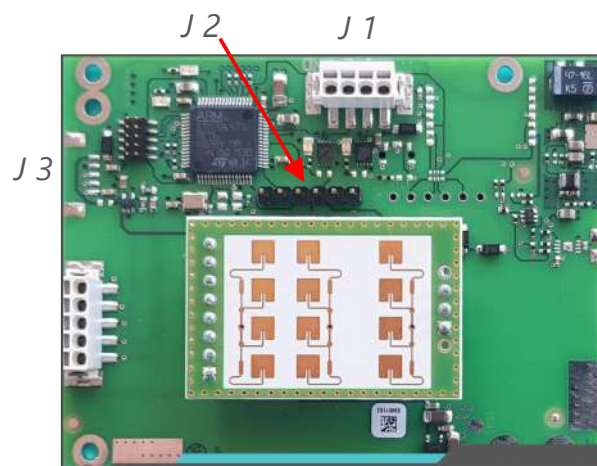
SDRA.207.01 Specifications

Transmit frequency	24.05 – 24.25 FCC/ETSI 300/440 compliant
Beamwidth antenna	40° x 80°
Output power	+ 20 dBm EIRP
Detection output	+ 24 V Level, configurable low side/high side drive configurable to speed, range and angle conditions
Serial link for control, update, target list output	UART 3.3 V Level
Update rate	40 ms 500 ms depending on sample rate
Signal processing	FFT
Detection range (moving targets only)	20 meter for pedestrians, 50 meter for cars
Application software	Security, traffic, light activation, people / bike counter
Speed range	0.1 km/h 100 km/h
Dimensions	80 mm x 60 mm x 15mm
DC supply	+ 5.5 to +36 V DC
Current consumption	50 mA @ 12 V DC
Operating temperature	- 40° to + 85° Celcius
Order information	SDRA.207.01
Option IP 67 case	SDRA.207.01 – T
Option LoRa wireless interface	SDRA.207.03

PIN	Connector J1	
1	GND	
2	Output 1	+ 12 V ... 24 V DC / 300 mA max.
3	Output 1	+ 12 V ... 24 V DC / 300 mA max.
4	Detection output	+ 12 V ... 24 V DC / 50 mA

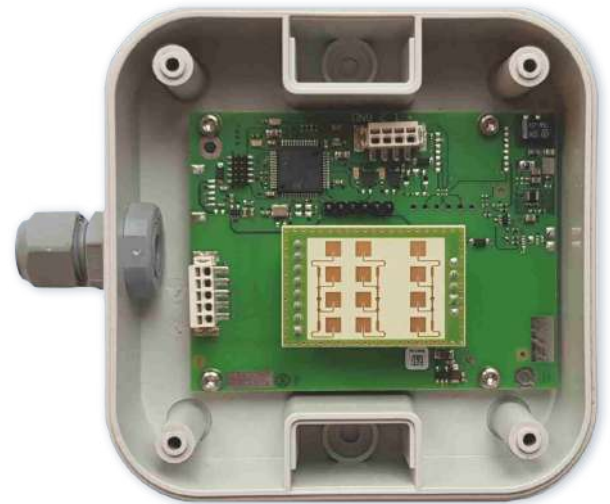
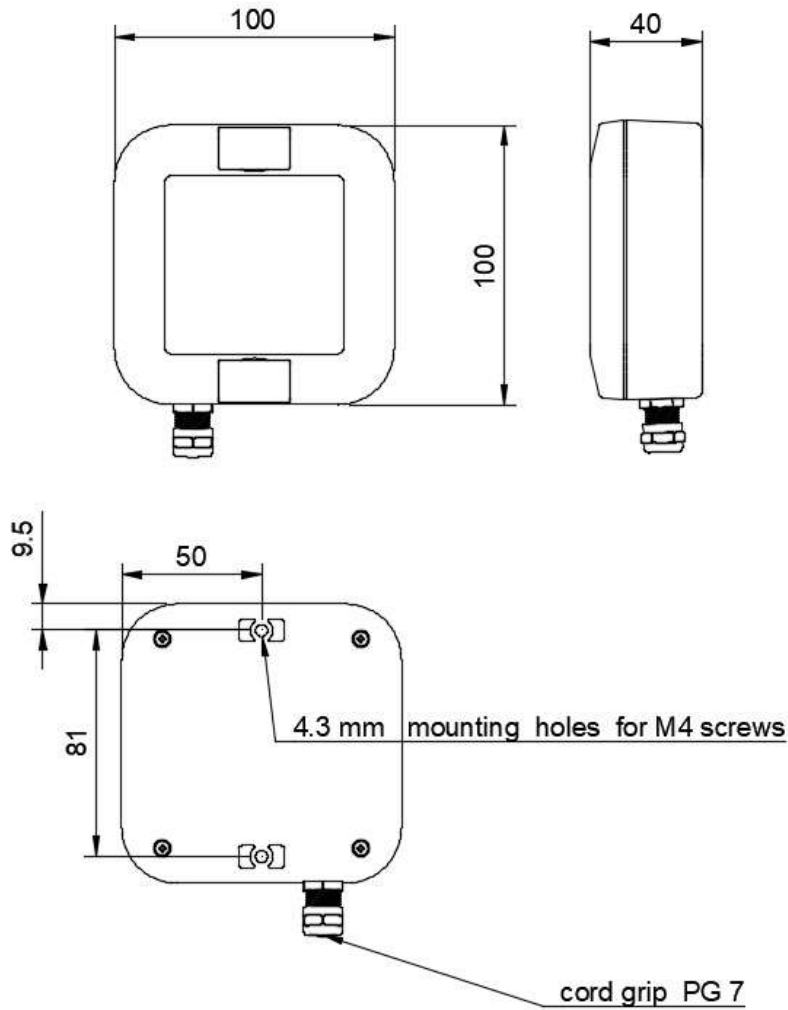
PIN	Connector J2 FTDI option	6 pin 2.54 mm Header for serial link
1	GND	
2	NC	
3	VCC 5V	+ 5 V DC max.
4	UART RX	+ 3.3 V Level
5	UART TX	+ 3.3 V Level
6	NC	

PIN	Connector J3	
1	VCC	+ 5.5 V ... 16 V DC
2	GND	
3	I2C SCL	+ 3.3 V Level
4	I2C SDA	+ 3.3 V Level
5	Detection output	+ 3.3 V Level



Optional IP 67 case

Dimension [mm]



Optional pole mount brackets



<i>Order Information</i>	
SDRA.207.01 PCB and Module	SDRA.207.01
Option LoRa wireless interface	SDRA.207.03
Option IP67 case	SDRA.207.01 – T
Option IP67 case and pole mount brackets	SDRA.207.01 – T P